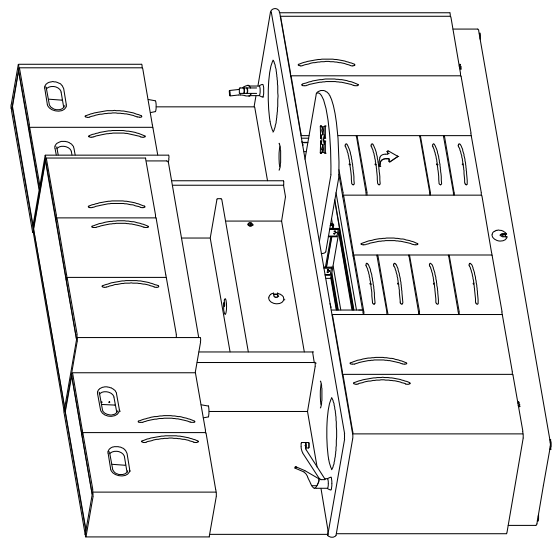
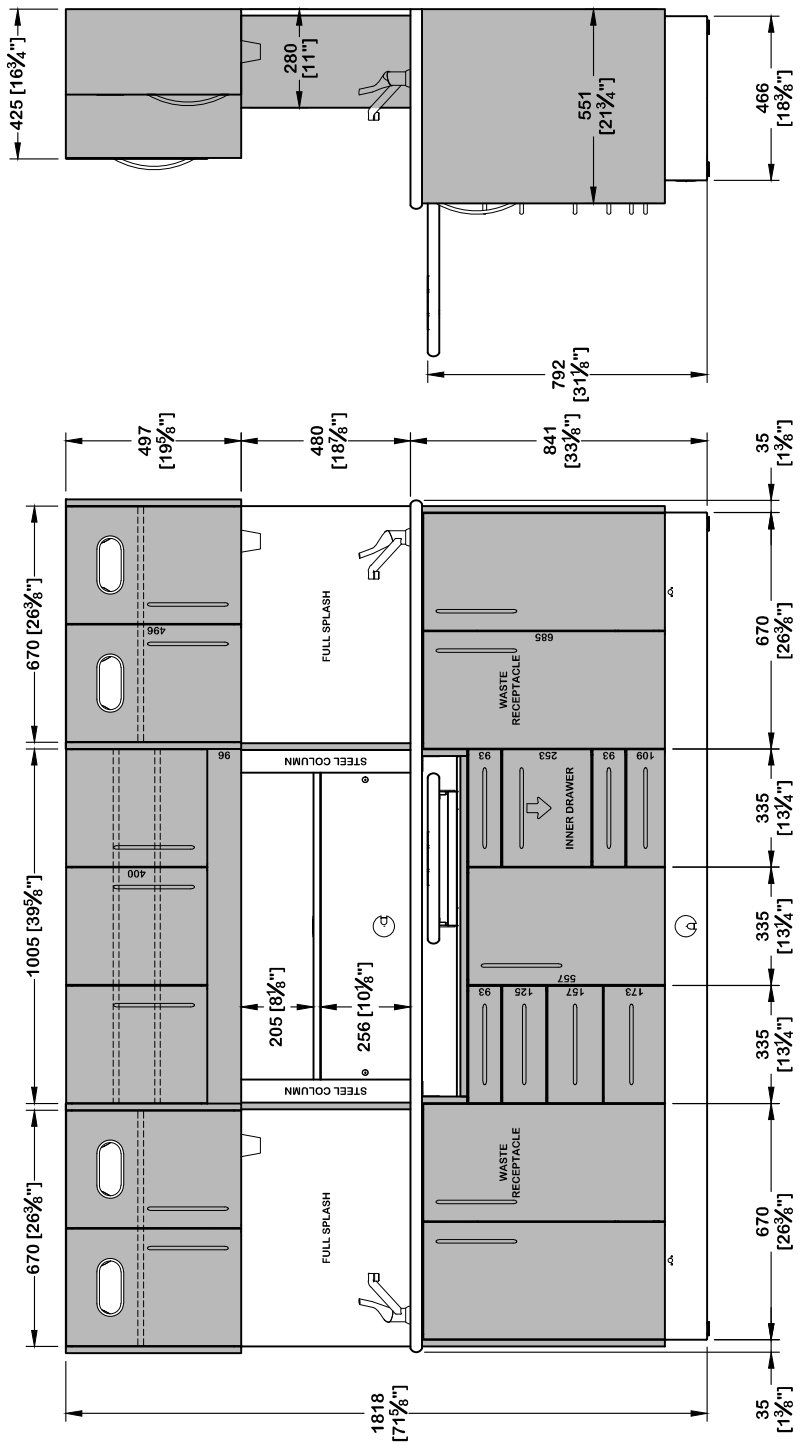
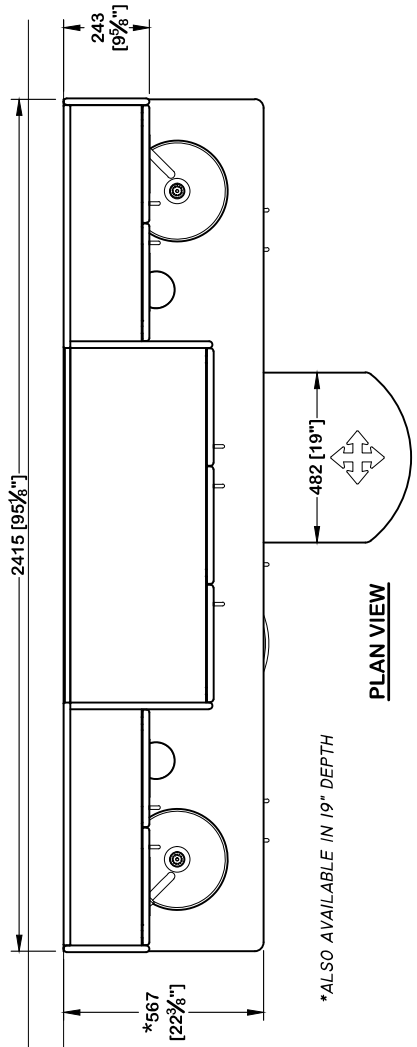


STANDARD REAR SUPPORT CONFIGURATION. SHOWN WITH WORK SURFACE OPTION '4' LINEAR SLIDING COUNTER. PLEASE SEE RS-OPTION PAGES FOR NUMEROUS WORK SURFACE, HUTCH, AND BASE MODULE CONFIGURATIONS.

● ACCENT COLOR
○ BASE COLOR



Bow Wood
cabinet systems

| | | | |
|---|-----------|--------------|----------|
| DRAWING DETAIL | | DRAWING NAME | |
| REAR SUPPORT TWO SINKS 23" DEEP AGAINST WALL | | RS2-23 | |
| DRAWN BY | DATE | SCALE | VIEW |
| MLW | 05-JUL-18 | NTS | AS SHOWN |
| COPYRIGHT NOTICE | | | |
| © Copyright of Bow Wood Dental Systems Inc. All Rights Reserved. No part of this drawing may be reproduced or distributed in any form without prior written permission from Bow Wood Dental | | | |

SERIES: SIGNATURE MERIDIAN

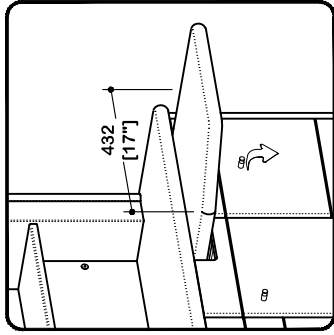
DEPTH: 19" 23"

COUNTER: SOLID SURFACE LAMINATE STONE COLOR: _____

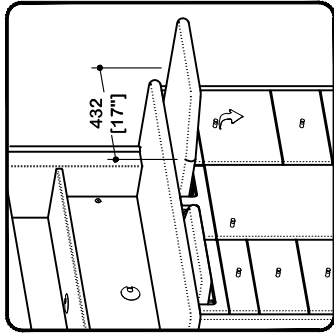
BASE COLOR: _____ ACCENT COLOR: _____

FINISHED BACK: YES NO COLOR: _____ MONOTONE

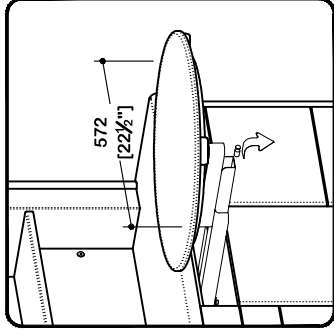
WORK SURFACE OPTIONS



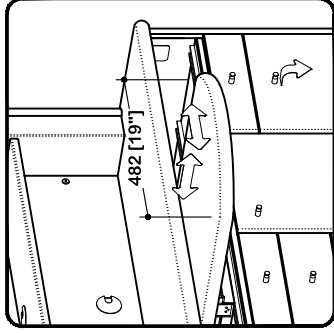
SINGLE PULLOUT
 LEFT RIGHT



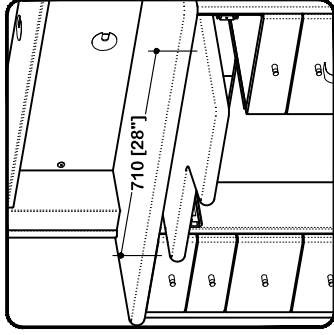
DUAL L/R SLIDING COUNTER



DUO SWING TABLE
 ROUND SQUARE

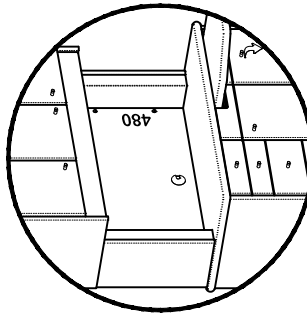


LINEAR SLIDING COUNTER

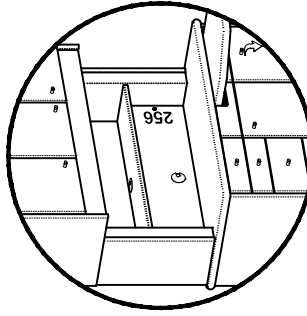


FOREST PULLOUT

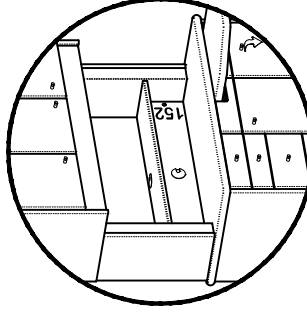
HUTCH CONFIGURATIONS



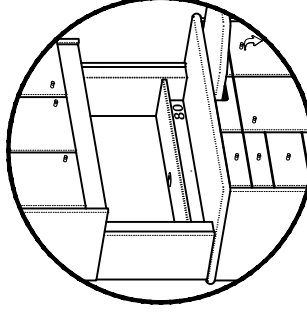
FULL SPLASH



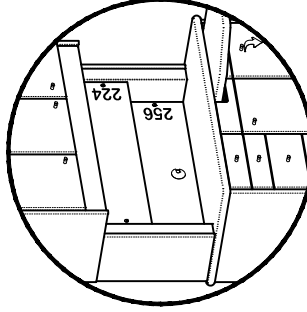
STANDARD SHELF



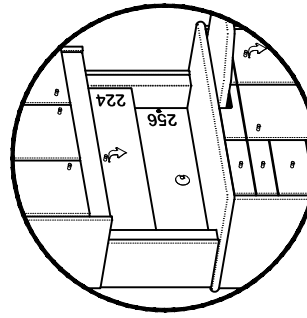
HALF HEIGHT SHELF



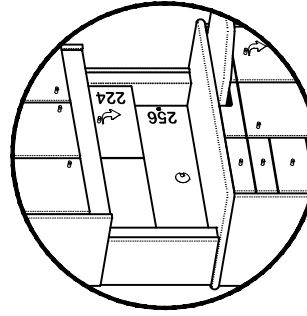
QUARTER HEIGHT SHELF



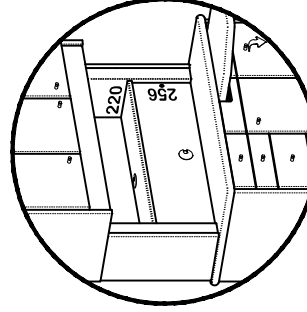
UPPER ACCESSORY PANEL



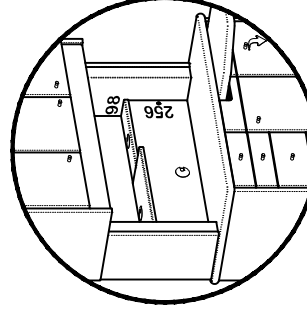
UPPER STORAGE



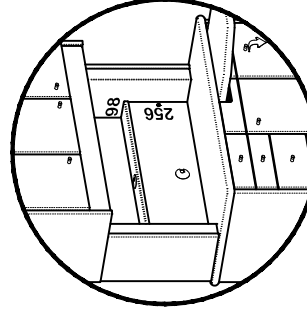
ACCESSORY / STORAGE



BASE ACCESSORY PANEL



SPLIT SHELF



SHALLOW SHELF

WORK SURFACE OPTION: _____

BASE MODULES: L: _____ C: _____ R: _____

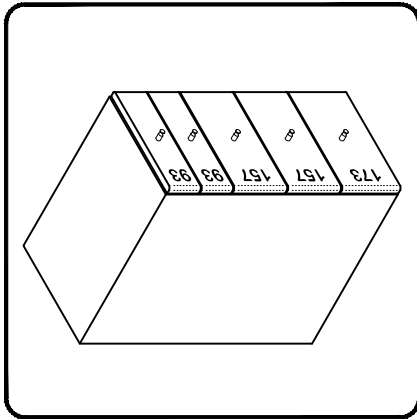
HUTCH CONFIGURATION: _____

CUSTOM NOTES: _____

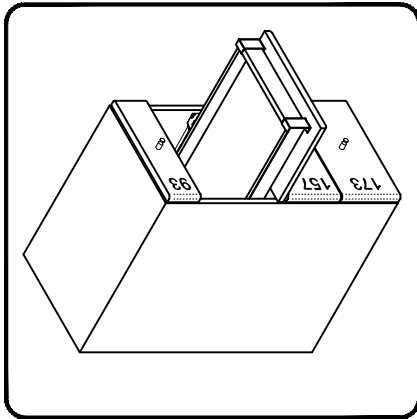


| | | | |
|---|-----------|-------------|----------|
| DRAWING NAME | | RS-OPT-PG1 | |
| REAR SUPPORT OPTIONS | | PAGE 1 OF 2 | |
| DRAWN BY | DATE | SCALE | VIEW |
| MLW | 05-JUL-18 | NTS | AS SHOWN |
| COPYRIGHT NOTICE | | | |
| © Copyright of Bow Wood Dental Systems Inc. All Rights Reserved. No part of this drawing may be reproduced or distributed in any form without prior written permission from Bow Wood Dental | | | |

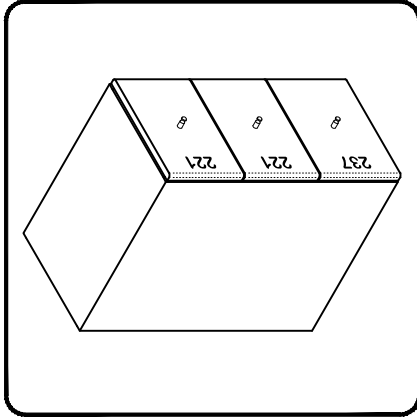
BASE MODULES
(MOST MODULES CAN BE CONVERTED TO SIDE OPENING)



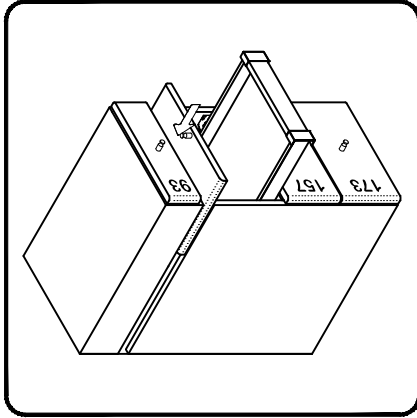
DOCTOR'S



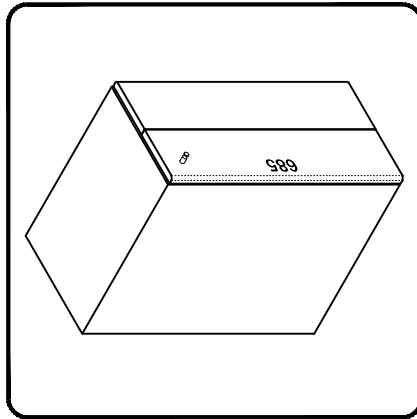
ASSISTANT'S



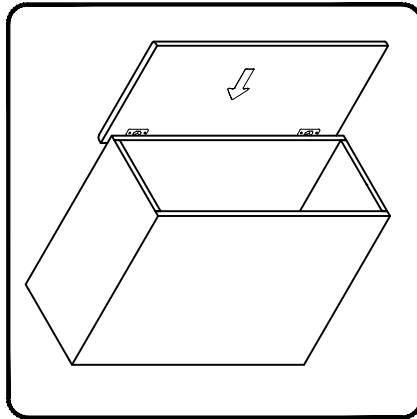
EQUIPMENT



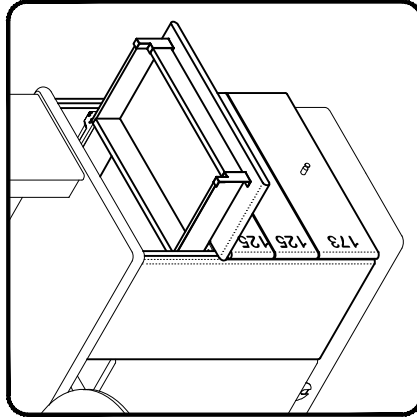
FLIP & PUSH



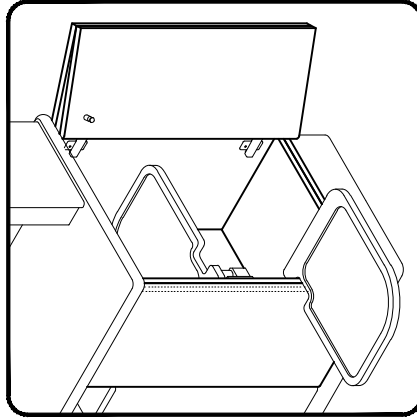
BI-FOLD



POCKET



SIDE OPENING ASSISTANT'S



SIDE OPENING SWING TRAY

WORK SURFACE OPTION: _____

BASE MODULES: L: _____ C: _____ R: _____

HUTCH CONFIGURATION: _____

CUSTOM NOTES: _____



DRAWING NAME: **RS-OPT-PG2**

REAR SUPPORT OPTIONS: PAGE 2 OF 2

DRAWN BY: MLW DATE: 05-JUL-18 SCALE: NTS VIEW: AS SHOWN

COPYRIGHT NOTICE: © Copyright of Bow Wood Dental Systems Inc. All Rights Reserved. No part of this drawing may be reproduced or distributed in any form without prior written permission from Bow Wood Dental