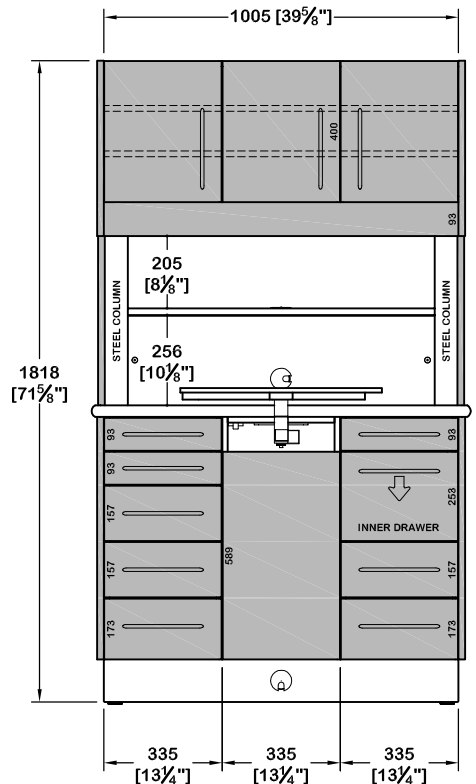
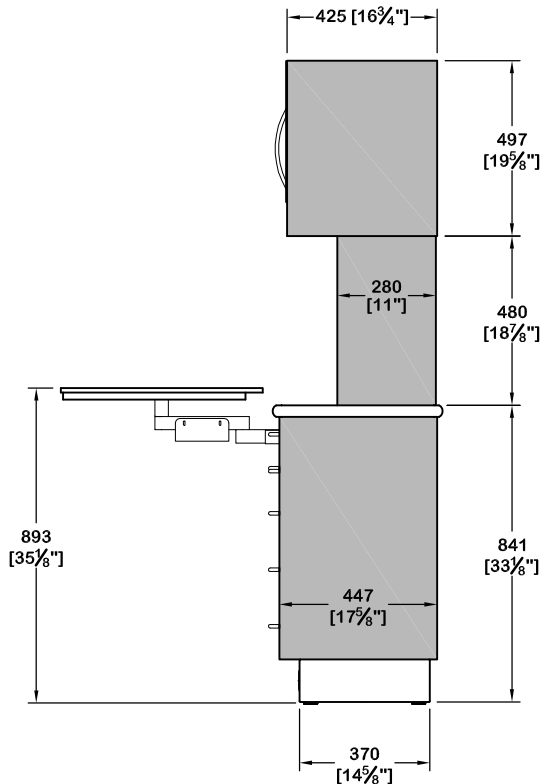


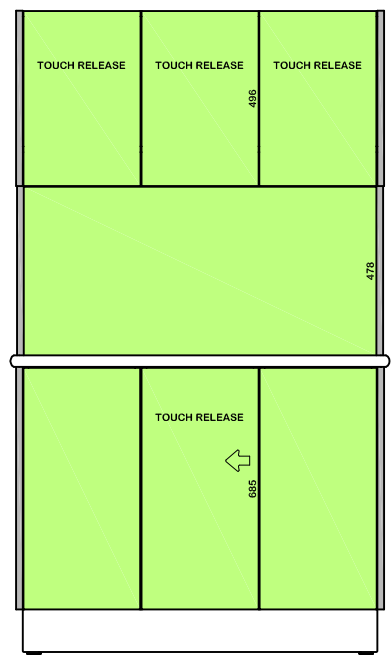
- ACCENT COLOR
- BASE COLOR
- FINISHED BACK COLOR



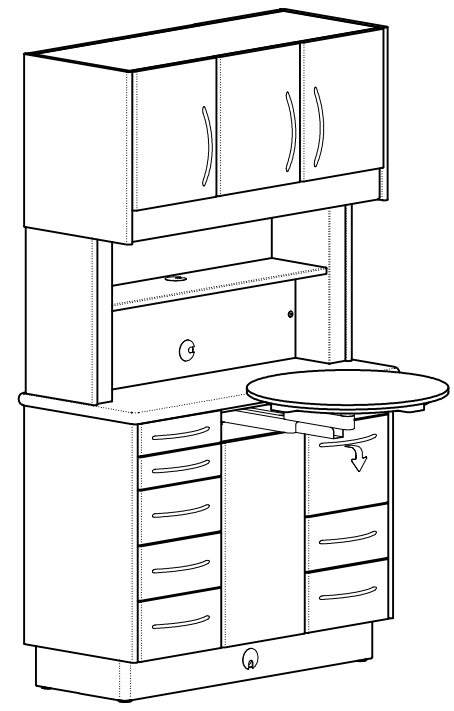
FRONT VIEW



END VIEW



BACK VIEW



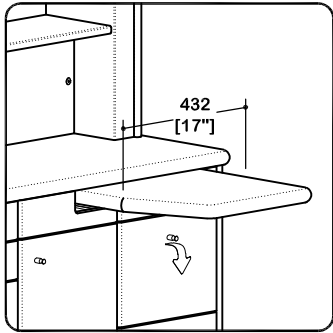
ISOMETRIC VIEW

SERIES: SIGNATURE MERIDIAN
 DEPTH: 19" 23"
 COUNTER: SOLID SURFACE LAMINATE STONE COLOR: _____
 BASE COLOR: _____ ACCENT COLOR: _____
 FINISHED BACK: YES NO COLOR: _____ MONOTONE

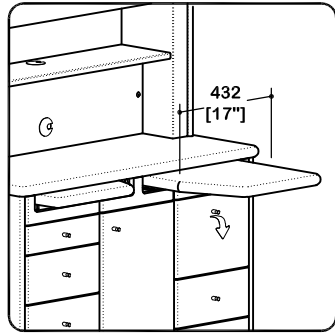


DRAWING DETAIL		DRAWING NAME	
REAR SUPPORT - 19" DEEP FINISHED BACK		RS-19	
DRAWN BY	DATE	SCALE	VIEW
MLW	05-JUL-18	NTS	AS SHOWN
COPYRIGHT NOTICE			
© Copyright of Bow Wood Dental Systems Inc. All Rights Reserved. No part of this drawing may be reproduced or distributed in any form without prior written permission from Bow Wood Dental			

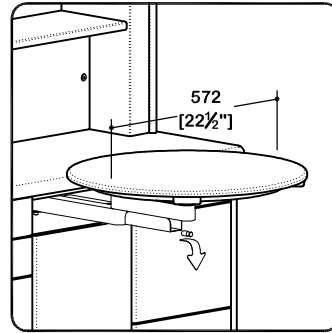
WORK SURFACE OPTIONS



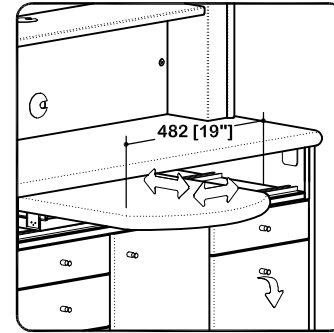
1 SINGLE PULLOUT
 LEFT RIGHT



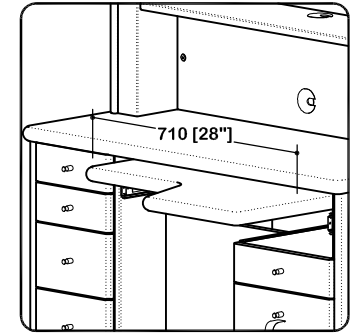
2 DUAL L/R SLIDING COUNTER



3 DUO SWING TABLE
 ROUND SQUARE

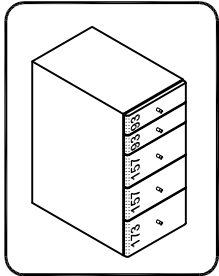


4 LINEAR SLIDING COUNTER

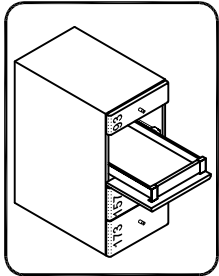


5 FOREST PULLOUT

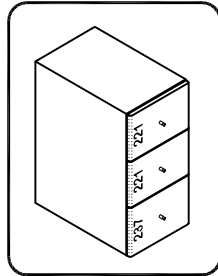
BASE MODULES



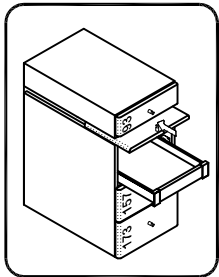
1 DOCTOR'S



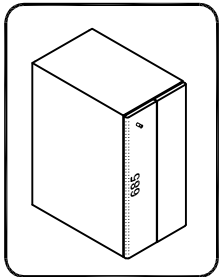
2 ASSISTANT'S



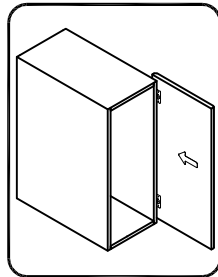
3 EQUIPMENT



4 FLIP & PUSH

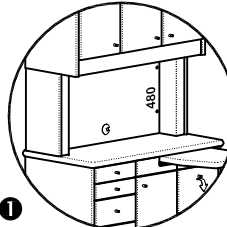


5 BI-FOLD

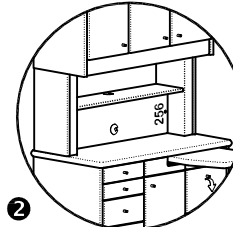


6 POCKET

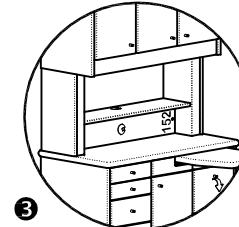
HUTCH CONFIGURATIONS



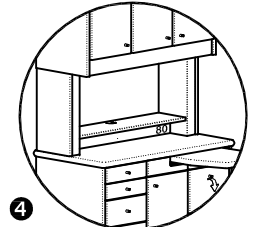
1 FULL SPLASH



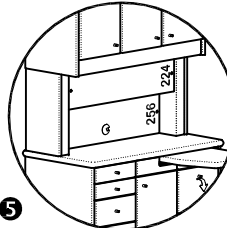
2 STANDARD SHELF



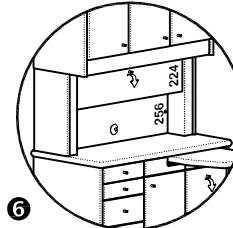
3 HALF HEIGHT SHELF



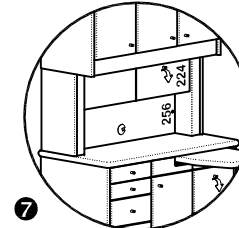
4 QUARTER HEIGHT SHELF



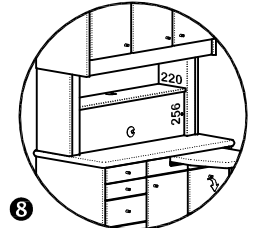
5 UPPER ACCESSORY PANEL



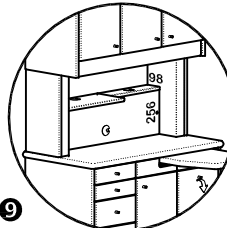
6 UPPER STORAGE



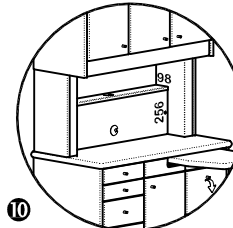
7 ACCESSORY / STORAGE



8 BASE ACCESSORY PANEL



9 SPLIT SHELF



10 SHALLOW SHELF

WORK SURFACE OPTION: _____

BASE MODULES: L: _____ C: _____ R: _____

HUTCH CONFIGURATION: _____

CUSTOM NOTES: _____



DRAWING DETAIL		DRAWING NAME	
REAR SUPPORT - 19" DEEP FINISHED BACK		RS-19	
DRAWN BY	DATE	SCALE	VIEW
MLW	05-JUL-18	NTS	AS SHOWN
COPYRIGHT NOTICE			
© Copyright of Bow Wood Dental Systems Inc. All Rights Reserved. No part of this drawing may be reproduced or distributed in any form without prior written permission from Bow Wood Dental			